

# TYPE 33Z - SMALL PACKAGE TRANSFORMERS

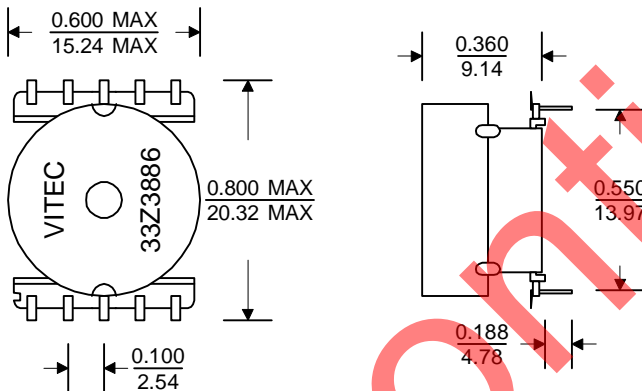
## ISDN-U Interface

### FEATURES

- Designed for 2B1Q and 4B3T ISDN-U telecom applications
- Printed circuit board mounting.
- Meets ANSI T1.601:1992.
- Designed for Motorola MC 145572.

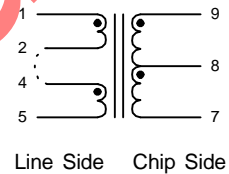


### PACKAGE

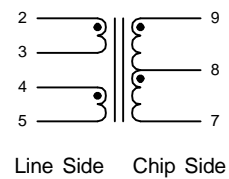


Drawing NOT to scale. Dimensions Inches/mm +/- 0.01" Unless noted

### 33Z3886



### 33Z3886G



### ELECTRICAL CHARACTERISTICS @ 25°C

Part Number	Turns Ratio +/- 3%	OCL	DCR	DCR	IDC	Return Loss <sup>(2)</sup>	Longitudinal Balance		LL	Dielectric Test	Line Side Pins	
		Line Side	Line Side	Chip Side			dB		uH			Vrms
		mH NOM	Ohms MAX	Ohms MAX			MIN		MAX			MIN
33Z3886 <sup>(1)</sup>	1.25:1	25.0-31.0	12.0	9.0	20	20	55 <sup>(3)</sup>	-20/ decade <sup>(4)</sup>	150 <sup>(5)</sup>	2000	1-5	
33Z3886G	1.25:1	26.5-29.5	16.0	13.0	20	20	55 <sup>(3)</sup>	-20/ decade <sup>(4)</sup>	--	1500	2-5	

- Notes:**
- (1) Not suitable for applications requiring a DC bias.
  - (2) Tested at 10 & 25 KHz.
  - (3) Tested at 281 Hz to 40 KHz.
  - (4) Tested at above 40 KHz.
  - (5) Tested 1-5 with 7-9 shorted.