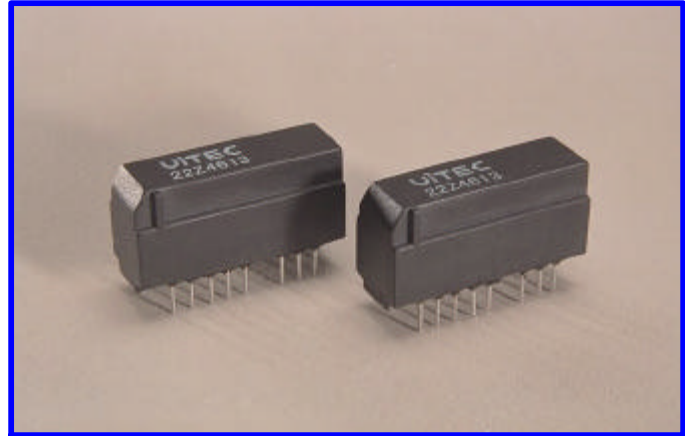


# TYPE 22Z - DUAL TRANSFORMER MODULES

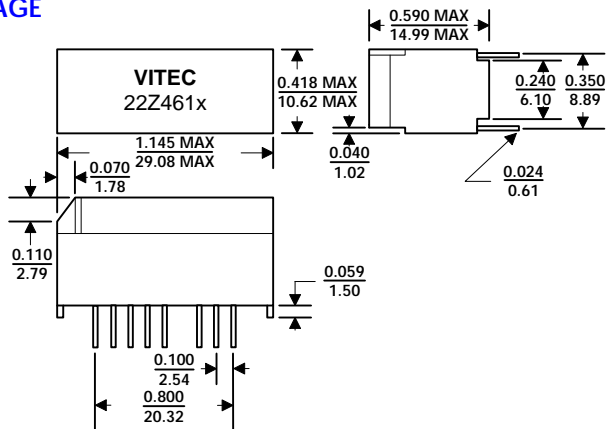
## ISDN-S Interface

### FEATURES

- Product matched to most IC manufacturers.
- Designed to meet or exceed CCITT I.430 pulse template.
- Common footprints & pinouts.
- Excellent longitudinal balance.
- 1500 Vrms isolation voltage.
- Developed for enhanced EMI performance.

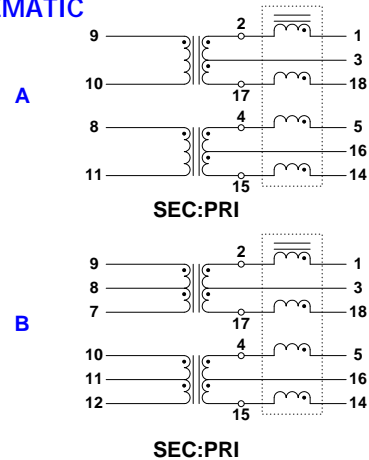


### PACKAGE



Drawing NOT to scales. Dimensions Inches/mm +/- 0.01" Unless noted

### SCHEMATIC



### ELECTRICAL CHARACTERISTICS @ 25°C

Part Number	Turns Ratio	OCL Pri	Pri/Sec LL	Pri/Sec CC	Pri CD	Pri DCR	Sec DCR	Choke		IDC	Sec Pins	Schem.
								OCL	DCR			
								mH MIN	Ohm MAX			
22Z4611	1CT:1CT	30	5	150	100	4.0	4.0	4.7	1.5	5	9-7, 10-12	B
22Z4612	1CT:2CT	30	30	150	100	4.0	6.7	4.7	1.5	5	9-7, 10-12	B
22Z4613	1CT:2.5CT	30	30	150	110	4.0	9.0	4.7	1.5	5	9-7, 10-12	B
22Z4615	1CT:2	30	30	150	100	4.0	6.7	4.7	1.5	5	9-10, 8-11	A*

### Module Selection Guide

IC Manufacturer	IC Part Number	Module Part Number
AMD	AM79C 30A/79C	22Z4612 / 22Z4614
Lucent (AT&T)	T7234 / T7254 / T7250 / T7256 / T7259	22Z4613
	T7903	22Z4612 / 22Z4614
Mietec	MTC-2072	22Z4612 / 22Z4614
Mitel	MT8930 / MT8931	22Z4612 / 22Z4614
Motorola	MC145474 / MC145475	22Z4611
	MC145574	22Z4613
National	TP3420 / 3421	22Z4612 / 22Z4614
SGS Thomson	ST5420 / 5421	22Z4612 / 22Z4614
Siemens	PEB2080 / PEB2081 / PEB2084 / PEB2085 / PEB2086	22Z4612 / 22Z4614
	PSB2186	22Z4612 / 22Z4614
Yamaha	7405B	22Z4612 / 22Z4614

Notes: \*Pin 7 & 12 are not included in this package.



T-650.5 01/03

Vitec Electronics Corporation  
www.VitecCorp.com