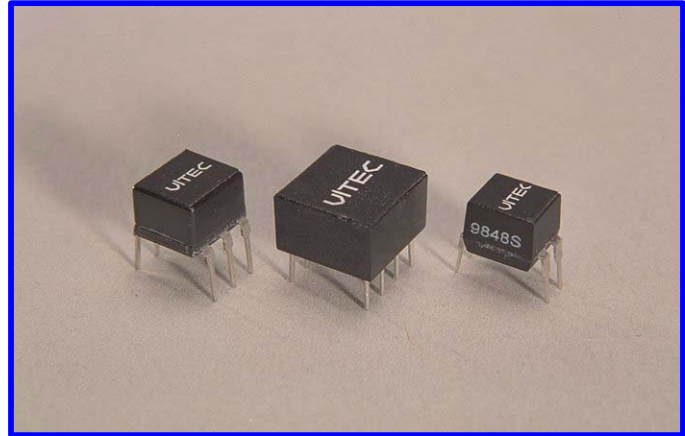


COMMON MODE CHOKES - THROUGH HOLE PACKAGES

LAN and Telecom

FEATURES

- Reduces EMI noise in the common mode providing better performance for FCC.
- Designed to meet IEEE 802.3 and IEEE 802.5.
- Frequency range from 100 KHz to 200 MHz.
- Surface mount packages available.
- Low cost.
- RoHS compliant version available.



SCHEMATIC A	SCHEMATIC B	SCHEMATIC C	SCHEMATIC D	SCHEMATIC E	SCHEMATIC F
SCHEMATIC G	SCHEMATIC H	SCHEMATIC I	SCHEMATIC J	SCHEMATIC K	SCHEMATIC L

ELECTRICAL CHARACTERISTICS @ 25°C

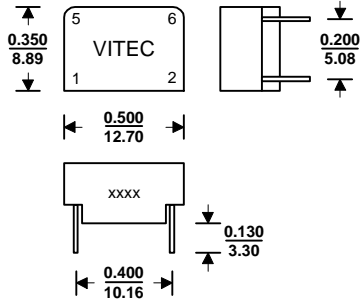
Part Number		OCL	Common Mode Attenuation					LL	CC	DCR	Dielectric Strength	Package/ Schematic
			uH	100Khz	10Mhz	50Mhz	100Mhz					
Classic	RoHS	MIN	dB TYP	dB TYP	dB TYP	dB TYP	dB TYP	uH	pF	Ohms	Vrms	
14Z3257	14ZR3257	85	8	29	28	26	20	0.25	9.50	0.20	--	8/G
14Z3259	14ZR3259	85	8	29	28	25	17	0.25	9.50	0.20	--	9/C
14Z3267	14ZR3267	85	8	33	30	27	18	0.25	12.00	0.20	--	7/I
14Z3281	14ZR3281	68	--	--	--	--	--	0.25	9.50	0.20	--	10/L
14Z3285	14ZR3285	68	--	--	--	--	--	0.25	12.00	0.20	--	10/K
14Z4506	14ZR4506	85	8	30	28	27	21	0.25	10.00	0.20	--	10/H
16Z5751	16ZR5751	24	1	28	33	28	13	--	--	0.30	--	1/J
18Z4814	18ZR4814	50	14	45	50	47	20	--	--	0.30	--	4/E
18Z4815	18ZR4815	68	7	37	42	40	31	--	--	0.35	--	3/E
18Z4836	18ZR4836	140	14	45	50	47	38	--	--	0.60	--	6/F
18Z4837	18ZR4837	140	14	44	48	43	33	--	--	0.60	--	4/E
18Z4844	18ZR4844	40	14	40	40	35	35	0.15	3.80	0.40	500	3/C
18Z4853	18ZR4853	1000	28	42	22	--	--	--	--	0.70	--	2/B
18Z4854	18ZR4854	4700+/-30%	40	37	23	20	--	--	--	1.00	--	2/B
18Z4855	18ZR4855	6000	44	33	29	--	--	--	--	1.40	--	2/B
24Z4681	24ZR4681	24	--	32	39	34	24	0.20	15.00	0.30	500	3/C
24Z4683	24ZR4683	25	6	32	37	32	21	0.20	15.00	0.35	500	5/A
24Z4685	24ZR4685	24	--	--	--	--	--	0.20	15.00	0.21	U	11/K
24Z4687	24ZR4687	36	--	--	--	--	--	0.30	25.00	0.35	500	3/C

Add an "R" to the part number after "Z" for the RoHS compliant version (i.e. 14ZR3257 is the RoHS compliant version of 14Z3257).

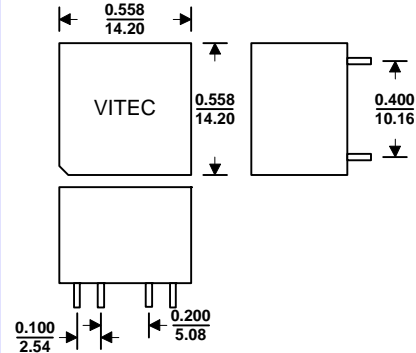
COMMON MODE CHOKES - THROUGH HOLE PACKAGES

LAN and Telecom

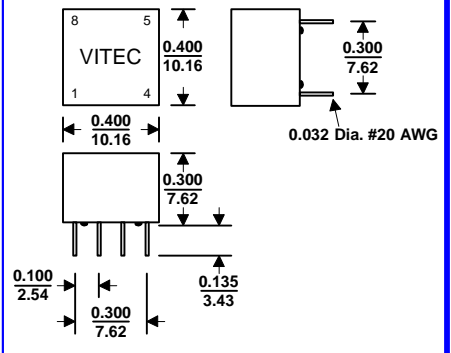
PACKAGE 1



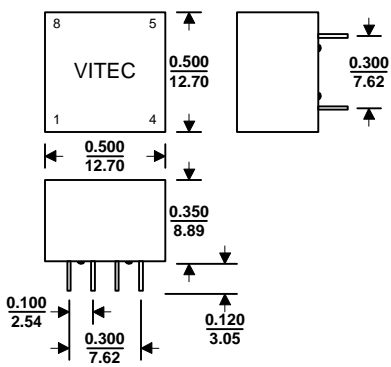
PACKAGE 2



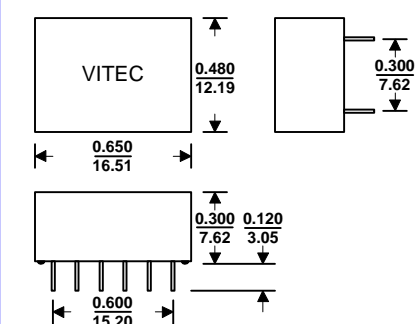
PACKAGE 3



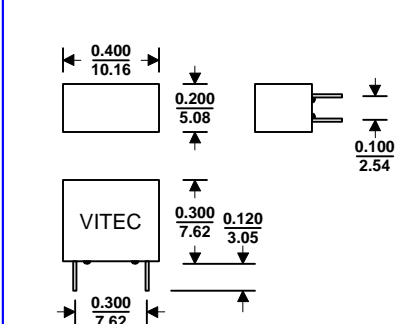
PACKAGE 4



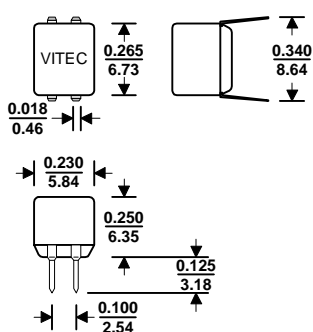
PACKAGE 5



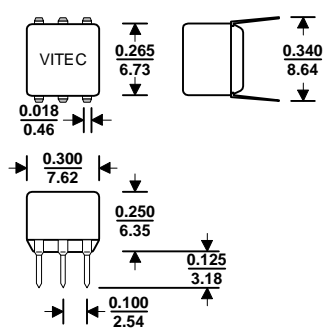
PACKAGE 6



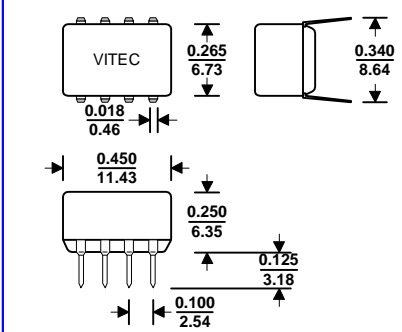
PACKAGE 7



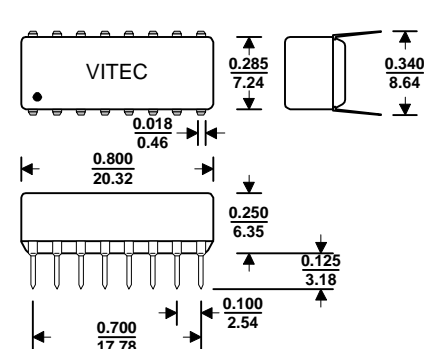
PACKAGE 8



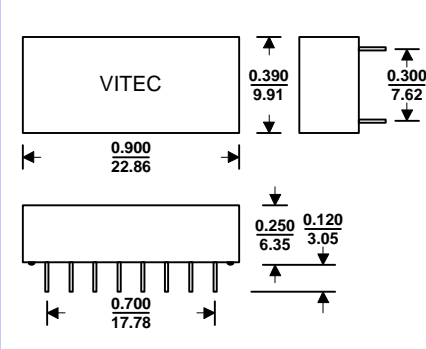
PACKAGE 9



PACKAGE 10



PACKAGE 11



Notes: