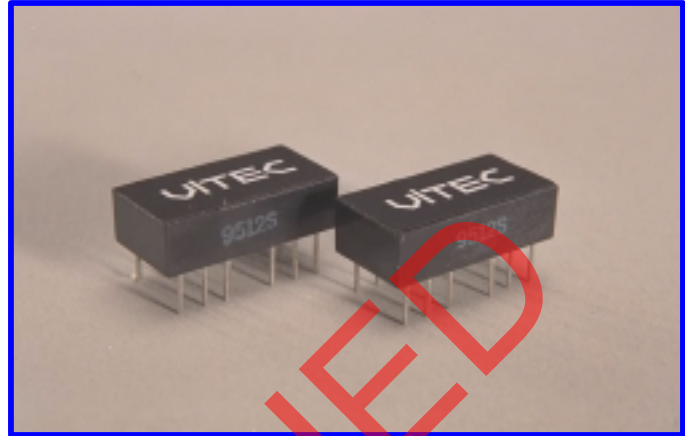


TYPE 24Z - DIL DUAL THROUGH HOLE TRANSFORMERS

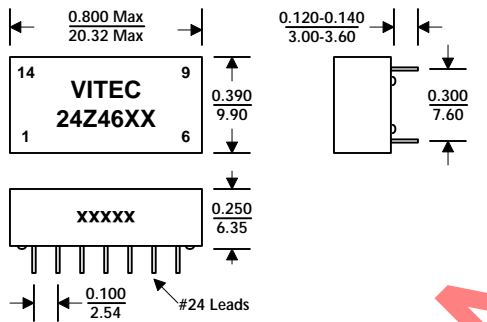
T1/CEPT/ISDN-PRI

FEATURES

- Designed for T1/E1 telecom applications.
- Designed to meet or exceed FCC and CCITT G.703.
- UL 1459, file number E159135.
- Provides 1500 Vrms isolation minimum.
- Standard & extended temperature version available, please call factory.

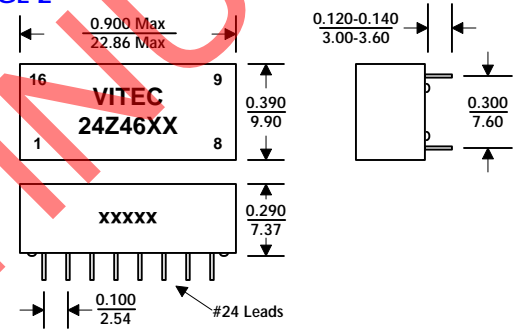


PACKAGE 1



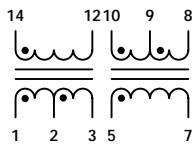
Drawing NOT to scale. Dimensions Inches/mm +/- 0.01" Unless noted

PACKAGE 2

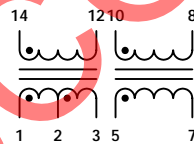


Drawing NOT to scale. Dimensions Inches/mm +/- 0.01" Unless noted

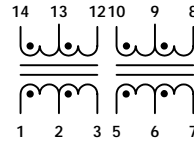
SCHEMATIC A



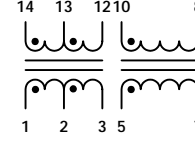
SCHEMATIC B



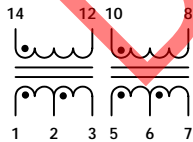
SCHEMATIC C



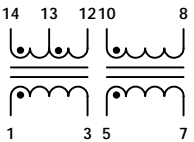
SCHEMATIC D



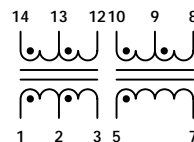
SCHEMATIC E



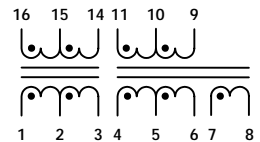
SCHEMATIC F



SCHEMATIC G



SCHEMATIC H



TYPE 24Z - DIL DUAL THROUGH HOLE TRANSFORMERS

T1/CEPT/ISDN-PRI

ELECTRICAL CHARACTERISTICS @ 25°C

Part Number	Turns Ratio	OCL	Pri/Sec LL	Pri/Sec CC	Primary DCR	Secondary DCR	Package & Schem.	Primary Pins
	Ratio	mH	uH	pF	Ohms	Ohms		
	+/- 5%	MIN	MAX	MAX	MAX	MAX		
Standard Temperature								
24Z4651	1:2CT&1:2CT	1.20	0.50	30	0.70	1.00	1A	14-12,5-7
24Z4652	1:2CT&1:1.36	1.20	0.50 & 0.80	35	0.80	1.80	1B	14-12,5-7
24Z4653	1:2CT&1:2CT	2.00	0.60	50	1.00	2.00	1E	14-12,10-8
24Z4654	1CT:2CT&1:1	1.20	0.55 & 0.50	30	0.70	1.10 & 0.70	1D	1-3,5-7
24Z4655	1:1.26CT&1.58:1	0.80	0.50	30	0.60	0.70 & 0.30	1F	1-3,5-7
24Z4656	1:1CT&2:1	0.80	0.60	30	0.50	0.50 & 0.20	1F	1-3,5-7
24Z4657	1CT:1.31&2.62:1	1.20	0.80	30	0.60	0.50 & 0.30	1F	1-3,5-7
24Z4661	1CT:1CT&1CT:2CT	1.20	0.55 & 0.50	30	0.70	0.70 & 1.10	1C	1-3,5-7
24Z4662	1:1.15CT&1:1.15CT	2.00	0.60	35	0.70	0.90	1E	14-12,10-8
24Z4663	1CT:2.3CT&1CT:2CT	1.20	0.80	35 & 30	0.70	1.00 & 1.10	1C	1-3,5-7
24Z4664	1CT:1.53CT&1CT:2CT	1.20	0.80	35 & 30	0.70	1.00 & 0.90	1C	1-3,5-7
24Z4665	1:1.15CT&1:2CT	1.50 & 1.20	0.60 & 0.50	35 & 40	0.70	1.10	1A	14-12,5-7
24Z4666	1:1:1.26&1:2CT	1.50 & 1.20	0.50 & 0.40	35 & 40	0.50	0.70 & 1.10	1A	14-12,5-7
24Z4667	1:1.36CT&1:1.36CT	2.40	0.80	35	0.70	0.90	1E	14-12,10-8
24Z4668	1CT:1.41CT&1.41CT:1CT	1.20	0.80	35	0.80	0.80	1C	1-3,10-8
Extend Temperature Range								
24Z4670	1:1.15CT&1:2CT	1.50 & 1.20	0.80 & 0.80	4. & 60	0.90 & 0.90	1.00 & 1.70	1A	14-12,5-7
24Z4671	1:1/1.26&1:2CT	1.50 & 1.20	0.80 & 0.80	50 & 60	0.90 & 0.90	1.00 & 1.70	1A	14-12,5-7
24Z4672	1CT:2CT&1:1.36CT	1.20 & 1.20	0.96 & 0.80	50 & 50	1.00 & 1.00	1.70 & 1.20	1G	14-12,5-7
24Z4673*	1CT:1CT&3CT:1CT:0.25	1.20 & 32.0	0.80 & 0.80	40 & 65	1.00 & 3.00	1.00 & 1.20	2H	1-3,11-9
24Z4674*	1CT:1CT&1CT:3CT:1	1.20 & 0.60	0.80 & 0.80	40 & 40	1.00 & 0.80	1.00 & 2.00	2H	1-3,4-6

Notes: * The fault locate winding is (7-8)