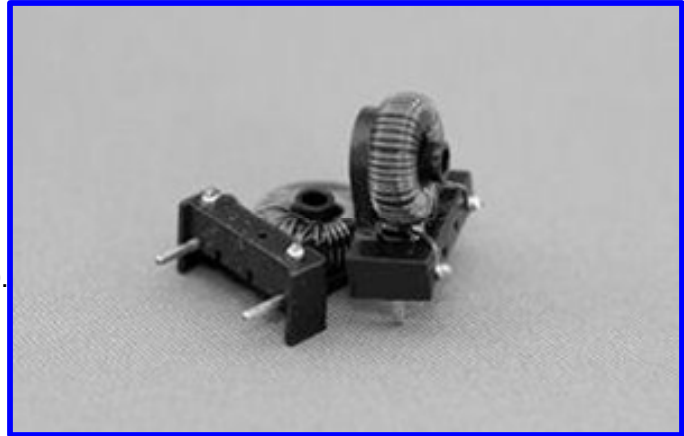


TYPE 57P

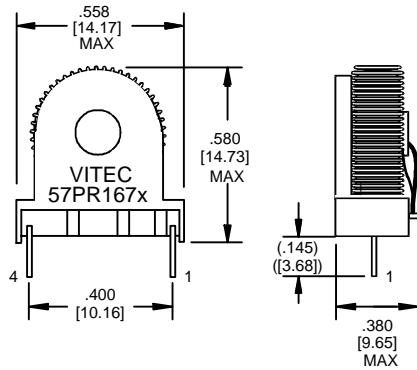
Current Sense Inductors and Transformers

FEATURES

- Designed for frequency range from 200KHz to 500KHz.
- 1250 Vrms Isolation.
- 20 Amp Peak Sense Current.
- Materials meet flammability requirement of UL94V-0.



STYLE 1 - INDUCTOR

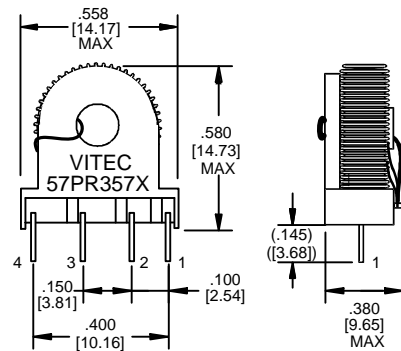


Dimensions Inches/mm +/- 0.01" Unless noted

SCHEMATIC

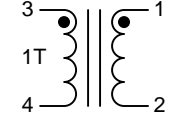


STYLE 2 - TRANSFORMER



Dimensions Inches/mm +/- 0.01" Unless noted

SCHEMATIC



ELECTRICAL CHARACTERISTICS @ +25°C

| Part Number | | Turns | Inductance Secondary | DCR Primary | DCR Secondary | Terminating Resistance* | Vs | Style |
|-------------|----------|-------|-------------------------|----------------|------------------|----------------------------|-----|-------|
| | | | | | | | | |
| Classic | RoHS | ±2% | MIN | MAX | MAX | TYP | TYP | |
| 57P1676 | 57PR1676 | 10 | 150 | - | 0.055 | 1.50 | 30 | 1 |
| 57P1677 | 57PR1677 | 20 | 600 | - | 0.097 | 3.00 | 60 | 1 |
| 57P1678 | 57PR1678 | 50 | 4000 | - | 0.240 | 7.50 | 160 | 1 |
| 57P3576 | 57PR3576 | 10 | 150 | 0.006 | 0.055 | 1.50 | 30 | 2 |
| 57P3577 | 57PR3577 | 20 | 600 | 0.006 | 0.097 | 3.00 | 60 | 2 |
| 57P3578 | 57PR3578 | 50 | 4000 | 0.006 | 0.240 | 7.50 | 160 | 2 |

Add an "R" to the part number after "P" for the RoHS compliant version (i.e. 57PR1676 is the RoHS compliant version of 57P1676).

Notes: * For Voltage Across Terminating Resistance of 0.15 Volt per Ampere