

TYPE 56P

BASE DRIVE TRANSFORMERS

FEATURES

- * Designed for 15V or 30V input, operating frequency as high as 50 KHz.
- * Fully encapsulated construction with plug-in leads.
- * Clamp winding.

SPECIFICATIONS

* Supply Voltage:

15 VDC for 56P2129 & 56P2130

30 VDC for 56P2131 & 56P2176

* Peak Secondary Voltage: 5V

* Peak Secondary Current: 1.5 A MAX.

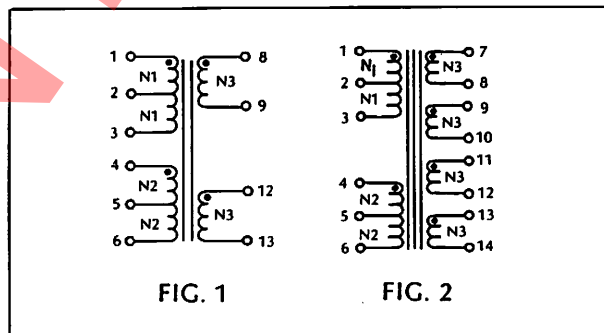
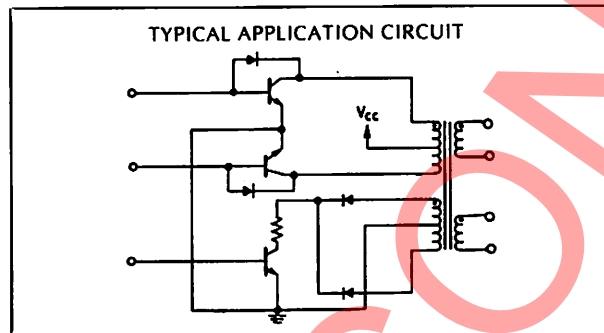
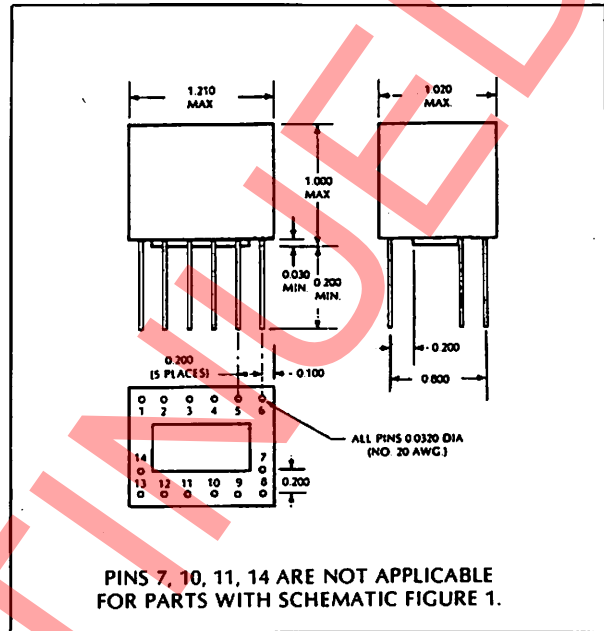
* Dielectric Strength:

2500 Vrms, primary to any secondary

1500 Vrms, between secondaries

500 Vrms, primary to clamp

2500 Vrms, clamp to any secondary



PART NUMBER	TURN RATIO N1:N2:N3 (1) ± 5%	PRIMARY INDUCTANCE N1 mH(2) MIN.	LEAKAGE INDUCTANCE N3 μH(3) MAX.	DC RESISTANCE			SCHEMATIC FIG.
				N1	N2	N3	
				OHM(4)			
				MAX.			
56P2129	15:15:5	1.25	0.85	0.800	0.700	0.055	1
56P2130	15:15:5	1.25	0.85	0.800	0.700	0.055	2
56P2131	30:15:5	5.00	0.85	1.600	0.700	0.055	1
56P2176	30:15:5	5.00	0.85	1.600	0.700	0.055	2

- (1) N1=PRIMARY END TO CENTER-TAP
N2=CLAMP END TO CENTER-TAP
N3= EITHER SECONDARY WINDINGS

(2) MEASURED AT VCC=1V, F=1KHz

(3) MEASURED FOR ANY SECONDARY WITH HALF PRIMARY SHORTED

(4) MEASURED FOR EACH HALF OF CENTER-TAPPED WINDINGS OR ANY SECONDARY WINDING